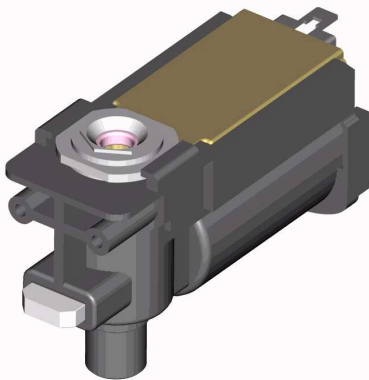


**Description**

The CFD is a product developed at the point for RIETER ICBT and intended for its exclusive use. The CFD is equipment dedicated to the automatic excavation on various types of machines. It is composed of an automatic yarn-cutters and a capacitive detector of wire.

Operating conditions: The movement of the guillotine must be complete to guarantee the cut. Consequently, a sufficient release must be spared to ensure that the guillotine will not be blocked, nor slowed down or deviated of its trajectory (See sketch at the foot of the page), and the time of pneumatic feeding must be in connection with the air flow. The time of displacement of the guillotine must be 50 ms ± 20% to obtain an optimum cut.

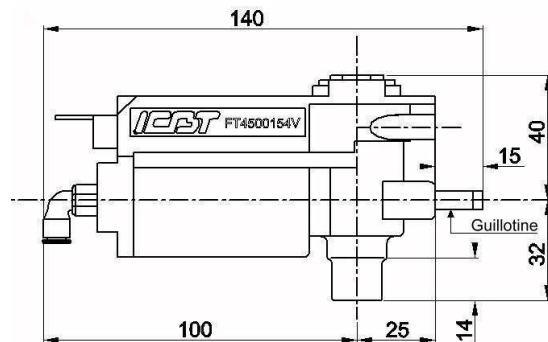
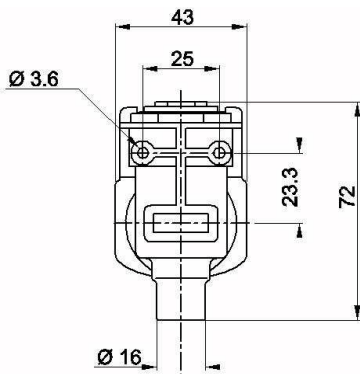
For the detection of delicate fibres (polypropylene), a more sensitive version exists specifically (CFD 423888).



Characteristics :

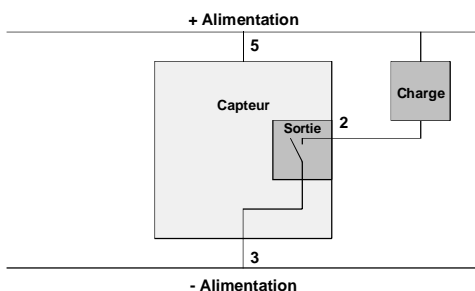
- Sensor power supply 18 to 30 V DC
- Pneumatic power supply of the yarn cutter
- 1 NPN output
- Electrical connection with Lumberg connector (Connector output) or Molex connector (Cable output with connector)
- Pneumatic connection by directional union elbow for tube Rilsan Ø4 mm
- Cut up to 3000 dtex
- Cut number : 100 000

**Dimensions (mm)**

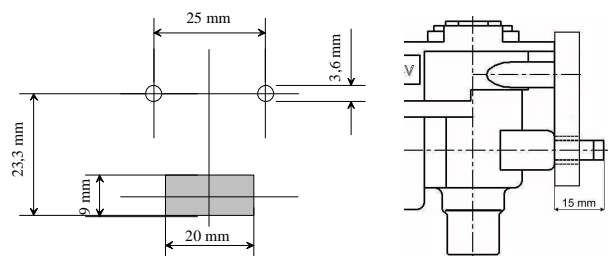


**Operating**

**Electrical schema**



**Hole for the guillotine move**



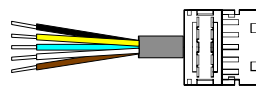
**Electrical and mechanical characteristics**

Parameters	Conditions	Min	Typ	Max
Power supply voltage (V)		18	24	30
Sensor consumption (mA)		-	9	
Ripple voltage at 100 Hz	Supply voltage peaks < 30 V	-	-	80%
Time with Re-detection after a breakage (s)		-	1	-
Output low level (V)	Output current < 1,6 A	-	0,5	1,1
Min. current driven by the output (A)	Voltage at the output < 32 V	1,6	-	-
Max. voltage at the output (V)		-	-	50
Immunity to the perturbations (kV)	Positive and negative			
	Injected	4	-	-
	Inducted	4	-	-
Temperature range (°C)				
	For storage	-25	-	85
	For operation	0	-	50
Cut capacity (dtex)		-	3000	-
Cut number		-	100000	-
Pneumatic power supply (Bar)		-	6	8
Relative humidity		-	-	80%

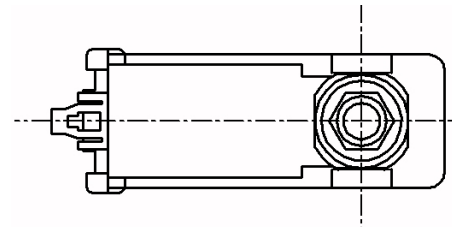
**Connections (Machine connector technology)**

CFD 423859 et CFD 423888

- Black wire : not connected **1**
- Yellow wire : output **2**
- Blue wire : - power supply **3**
- White wire : not connected **4**
- Brown wire : + power supply **5**

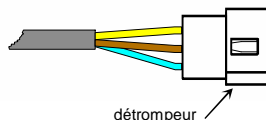


Lumberg connector  
2,5 MSFW 5



CFD 423889

- Yellow wire : Output **1**
- Brown wire : + power supply **2**
- Blue wire : - power supply **3**



Molex connector 0306 1032  
3 female contacts 1561-TL

